

MADE IN CANADA ♦



305M // 1000FT



UP TO 8 HOURS  
INTERCHANGEABLE BATTERY



4K ULTRA HD  
LOW-LIGHT CAMERA



EXTREME MOBILITY  
STABILIZATION CONTROL

“ I've flown many ROVs over the past 17 years and have worked with several ROV manufacturers and I have to say that Deep Trekker has the most economical, durable, reliable and convenient ROV on the market. ”  
PENNY A. - J&S UTILITY CONSULTANTS



**POWERED BY BRIDGE**

Deep Trekker's newest technology platform solves the most challenging operating conditions. It delivers reliable, stable and intuitive controls.

An improved software intelligence enhances the operator's experience with easier controls, auto-stabilization, wireless connectivity, and augmented recording capabilities.

BRIDGE provides the most innovative solution to our customers.

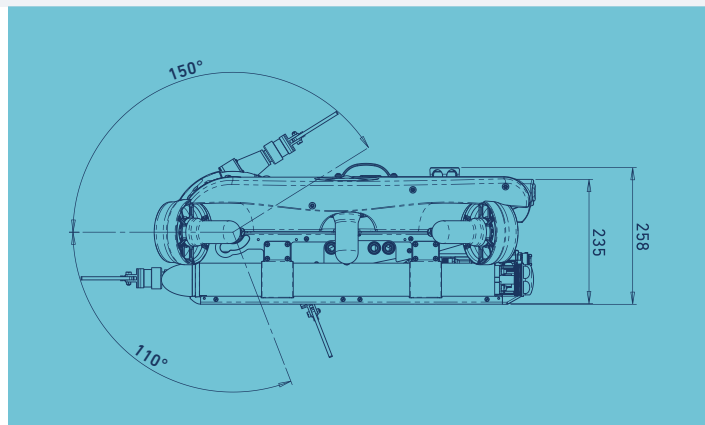


### Enhanced Viewing Experience

The [live 4K video](#) records directly to the [waterproof](#) handheld controller and its 7-inch viewing screen allows for the clearest view of underwater inspections. The improved interface allows for [simultaneous viewing of sonar data and live-video](#), without the need for external control consoles.

### Advanced Stability and Camera Control

Coupled with the driving force of [BRIDGE](#), the REVOLUTION ROV provides advanced stability in underwater environments. Equipped with [automated station holding](#), the camera, sonar, and manipulator is still capable of rotating 260° for situational awareness.



### Truly Portable Solution

Topside power and generators are not required to power the REVOLUTION ROV. With [internal batteries and integrated equipment](#), Deep Trekker ROVs are the only truly expeditionary systems on the market. [Deployable within 1-minute](#), this ROV proves to be the ideal tool for mission-ready situations.

### Fully Assembled - Fully Tested - Ready to Use

#### ROV General Specs

Width :	440 MM (17.3")
Height :	235 MM (9.3")
Length :	717 MM (28.2")
Weight (in air) :	26 KG (57 LB)
Body Material :	Anodized Machined Aluminum, Carbon Fiber, Stainless Steel, & Buoyancy Foam
Window Material :	Sapphire & Acrylic
Depth Rating :	305 M (1000 FT)
Operating Temp :	-10°C to 50°C (14°F – 122°F)
Case (optional) :	Custom Pelican Air 1650 Handle and Wheels
Warranty :	1 Year – Parts and Labor (optional 2-3)

#### ROV Electrical System

System Voltage :	22.2 VDC
Battery Run Time :	Up to 8 Hours (30-sec Battery Change)
Battery Recharge :	3 Hours
Thruster Control :	6x Independent Control Infinitely Variable 100% Reversible

#### ROV Controller

Screen:	178 MM (7") Wide-Angle LCD
Controller:	16:9 Up to 4K Recording Waterproof Connectivity USB, SD, HDMI and Ethernet

#### Lights and Camera

Video :	UHD 4K - 3840X2160   720p - 1280x720 30FPS 0.001 Lux 260° Total Range of View
Picture :	JPG 8MP
Lights :	High Efficiency LED   Fully Dimmable 8,400 - 11,800 Lumens

#### ROV Tether

Tether Diameter :	4.5 MM (0.18")
Tether Weight :	Neutrally Buoyant in Water
Maximum Length :	800 M
Min Breaking Strength :	90 KG (200 LB)